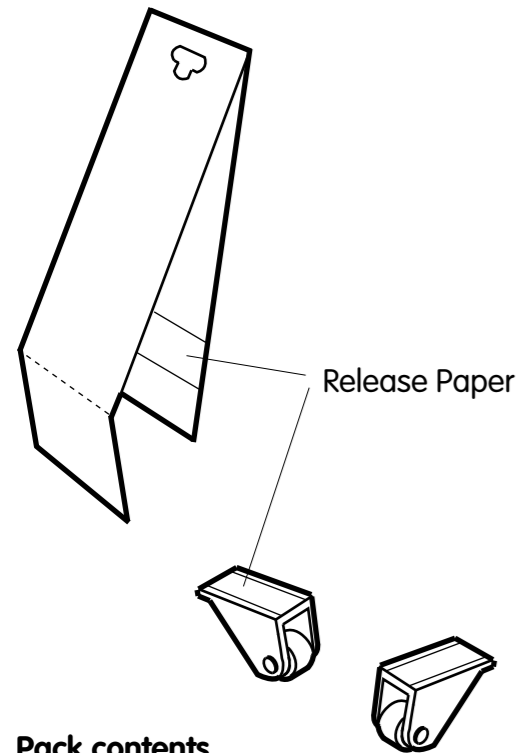


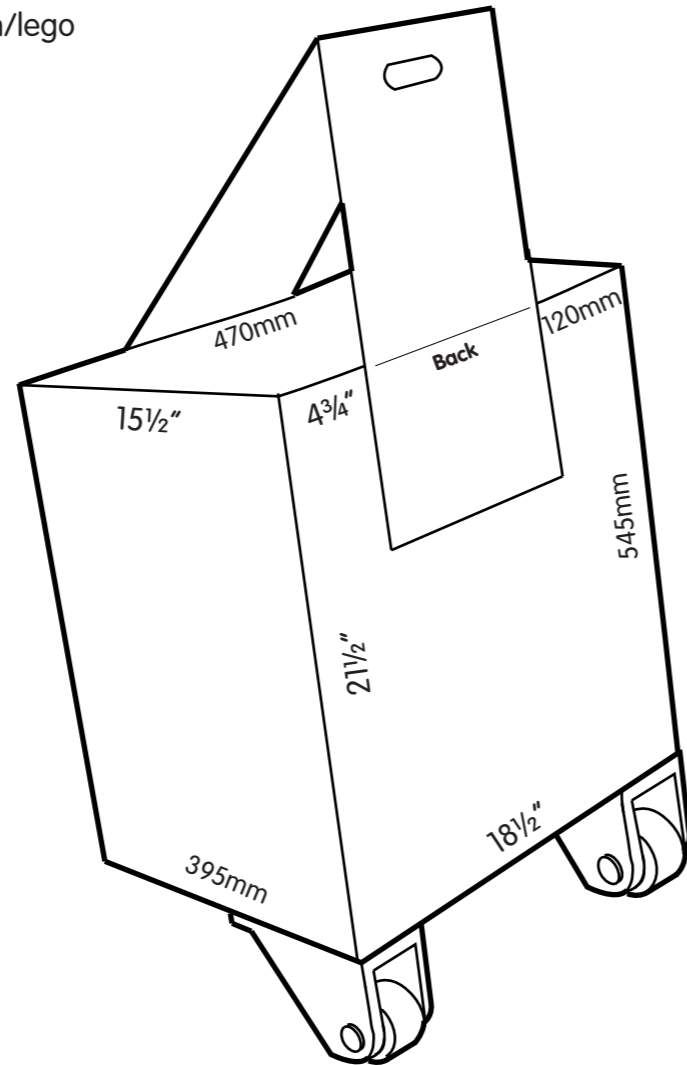
Assembly Instructions

 **Assembly video:** www.move-itproducts.com/lego



Pack contents

7 x Move-it Handles
14 x Move-it Wheels
1 x Assembly Instructions



1. Position the box so the longest side (21½", 545mm) is at a right angle to the ground, and the next longest side (18½", 470mm) is facing you.

Ensuring the surfaces of the box are clean, dry and dust free, peel the release-paper from the two wheels and press them firmly into place on the two nearest corners of the upper surface of the box.

2. Turn the box over so the wheels are on the ground, but on the opposite side to you.

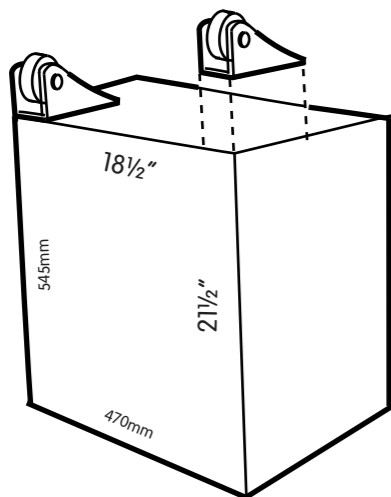
Bend the folding section at the end of the front of the handle over and peel the release-paper.

Place the front of the handle on the top of the box with the folding section hanging down loosely by the front of box. Position the handle squarely and centrally using the folding section and guide measurements, (4¾", 120mm from the edge) then press the folding section firmly into place.

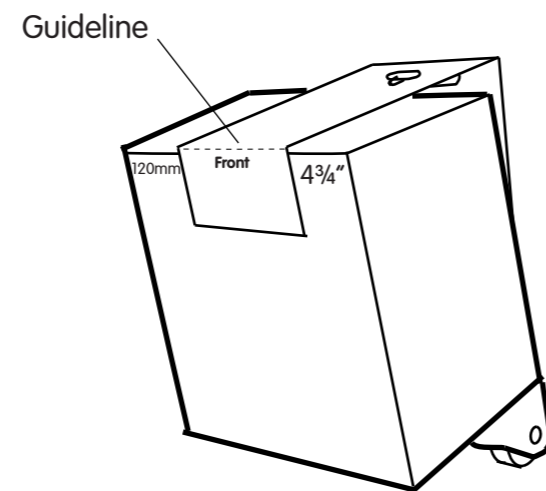
3. Peel the release-paper on the back of the handle and position the handle at the correct height using the guide line on the back of the handle, pressing firmly into place.
4. Fold the handle cut-outs in, pushing tab A on the front cut-out through slot B in the back cut-out.

Here to Help! Call +44 (0) 7833 983 207

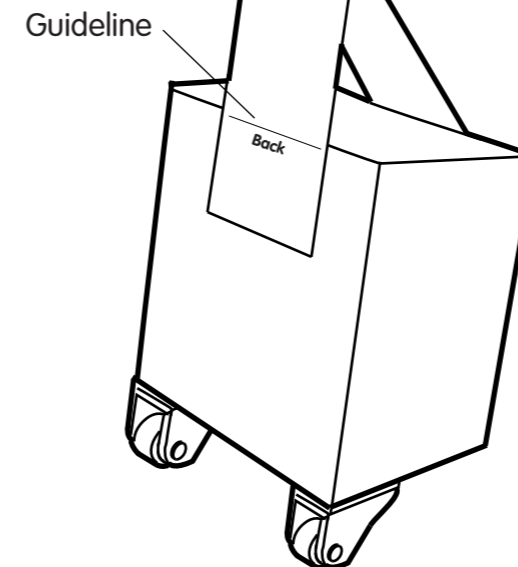
1.



2.



3.



4.

