

# Move-it Gifting Table Set

Please read instructions below or watch video before assembling the tables.

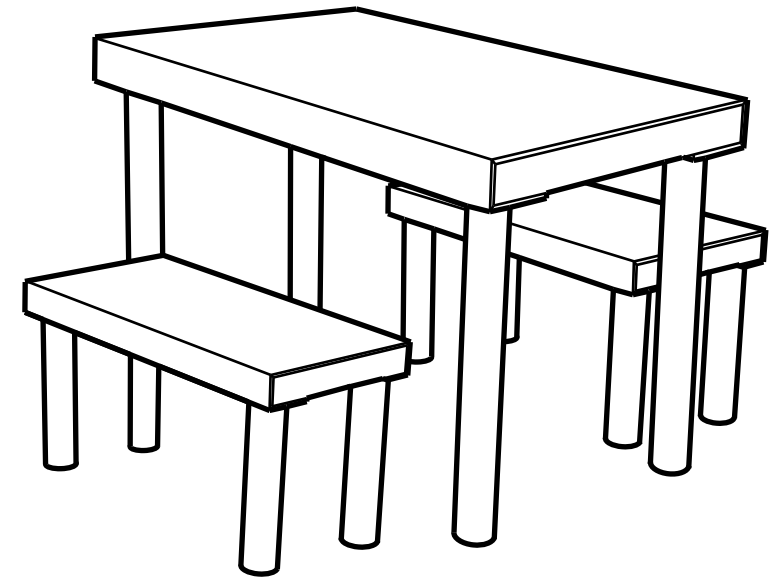
Assemble video: [www.move-itproducts.com/Argos](http://www.move-itproducts.com/Argos)

The legs need to be inserted at a right angle to the table base with a twisting motion and strong downward force, each leg carefully guided through the set of four rings within the base of the table top that secure it. The 840mm legs have black plastic inserts, which act as feet for the large table.

After you have assembled and disassembled the tables once, it is easy, but care needs to be taken the first time not to force the leg in at an angle as this can damage the rings which grip the leg. Also, as no glue is used in assembly, the rings may become slightly misaligned as the table components are vibrated during transit. If this happens just tap the table ends so the rings are roughly aligned before inserting the legs.

Do not attempt to assemble the tables on an abrasive floor surface, as this could damage the delicate finish on the table tops. If in doubt, flatten the pack and place it on the floor as an assembly surface.

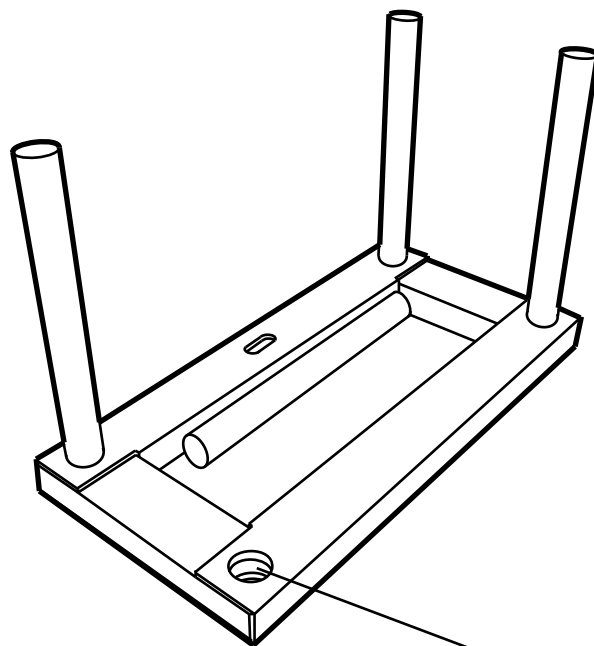
**Here to Help! Any issues, call 07833 983 207**



**Each Pack should contain:**

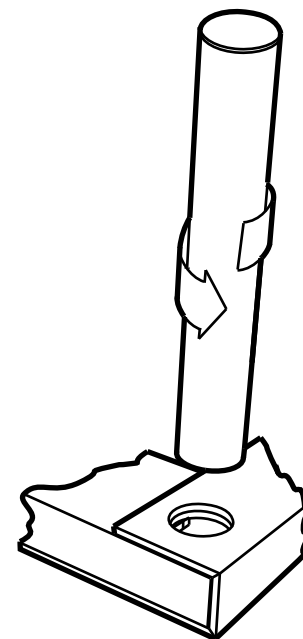
1 x 1400mm x 800mm Table top and 4 x 840mm legs with 4 x black plastic inserts  
2 x 1100mm x 460mm x Table tops and 8 x 490mm legs

## Assemble Instructions

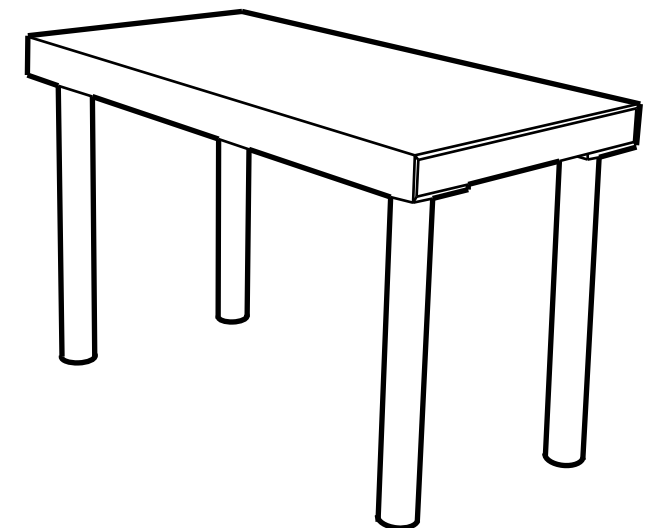


Retention rings

To assemble, place the table top on a clean floor and insert the legs into the sockets, taking care to put the legs in straight and guide them through the four retention rings.



Insert legs using a twisting motion and strong downward force, ensuring they go right to the base of the socket.  
Assemble video: [www.move-itproducts.com/Argos](http://www.move-itproducts.com/Argos)



Stand the table on a flat surface and check stability. Any legs not fully inserted should be pushed further in, using a twisting motion and strong downward force as before.